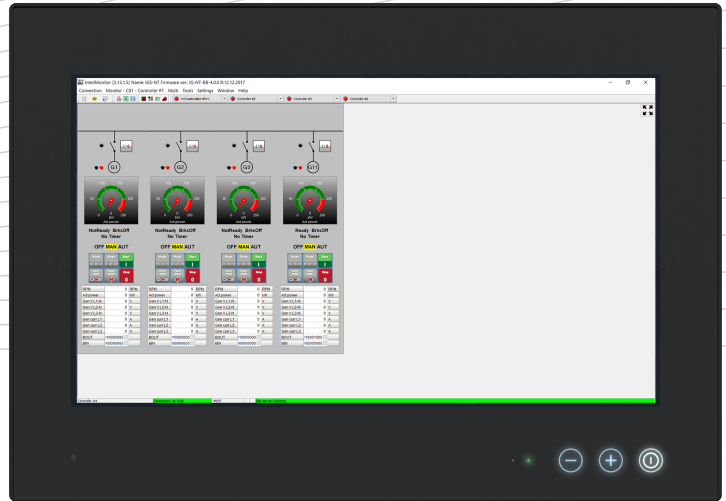


# InteliVision 13Touch



Order code: RD1IV13TBME

## 13.3" display unit for ComAp controllers

# Datasheet

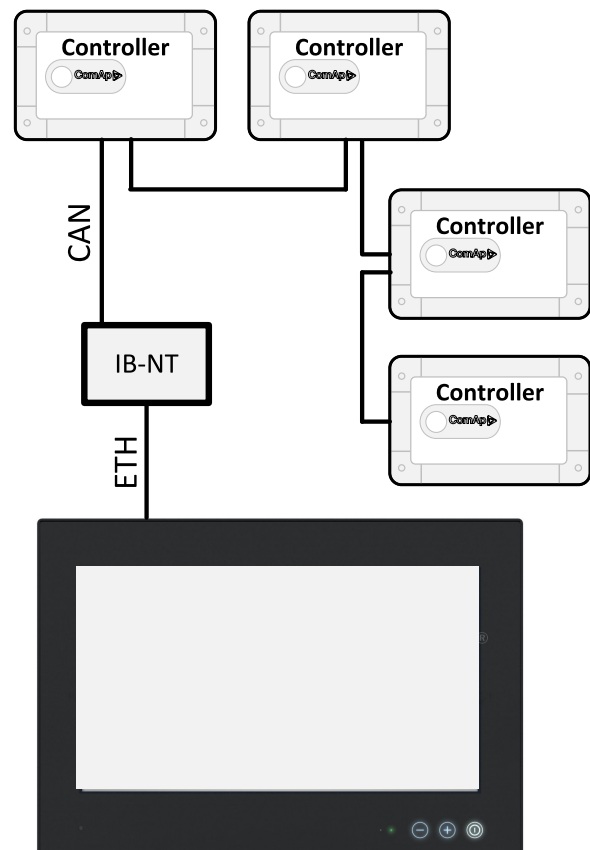
### Product description

InteliVision 13Touch is a high-quality easy-to-use 13.3" Marine certified Panel PC with multi-controller support and buttons for brightness change on its front face. Even though the software allows to configure up to 32 controllers the hardware is designed for simultaneous monitoring and control of up to 4 controllers only. Compatible controllers should be connected via Ethernet, in some cases with use of InternetBridge-NT. USB ports are recommended not to be used for monitoring.

### Key features

- ▶ 13.3" Multi-touch projected capacitive display
- ▶ EU RO MR Marine certification
- ▶ Buttons for brightness change on front face
- ▶ Windows® 10 IoT Enterprise 2019 LTSC (64bit)
- ▶ ComAp PC tools pre-installed
- ▶ Front protection compliant with IP66
- ▶ Intel Atom® x5-E3930 Processor
- ▶ 4 GB RAM
- ▶ 32 GB eMMC, 240 GB SSD
- ▶ 2 × Ethernet, 2 × USB 2.0, 2 × USB 3.0
- ▶ Operating temperature: -15 °C to +55 °C
- ▶ Power input 10-31 V DC

### Application overview



## Technical data

### Power supply

Power Supply Range	10-31 V DC
--------------------	------------

### Operating conditions

Operating Temperature	-15 °C to 55 °C
Storage Temperature	-20 °C to 60 °C
Vibration	5-25 Hz, ±1.6 mm 25-100 Hz, a = 4 g
Humidity	95 % non-condensing (EN 60068-2-30)

### Interfaces

Rear I/O	2 × USB 2.0 2 × USB 3.0 Ethernet: 2 × RJ45
----------	--

### System

CPU	Intel Atom® x5-E3930 Processor, 2 MB Cache, 1.30 GHz / 1.80 GHz
Memory	4GB RAM
Storage Device	32 GB eMMC 240 GB SSD

### LCD specification

LCD panel	13.3" TFT-LCD
Resolution	1920 × 1080 px (FHD)
Luminance	600 cd/m <sup>2</sup>
Contrast Ratio	600 : 1
Viewing Angle	85 deg. (up/down/left/right) (typical)
Backlight	LED

### Touchscreen

Type	PCAP (Projected Capacitive Touchscreen)
------	--

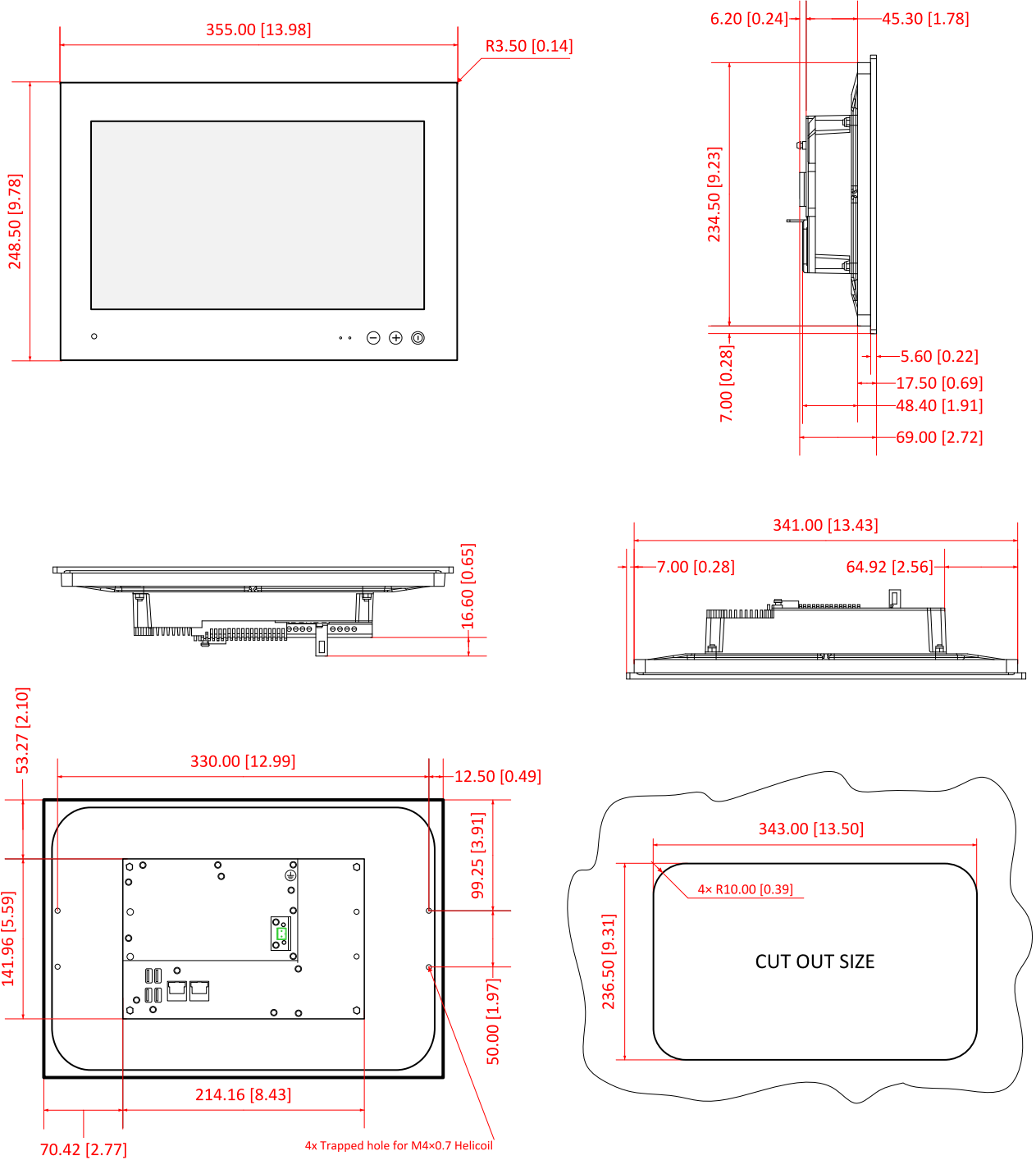
### Mechanical

Housing	IP66 front, IP20 rear (EN60529)
Weight	approx: 3.0 kg / 6.6 lbs
Dimensions (W × H × D)	355.00 [13.98"] × 248.50 [9.78"] × 69.00 [2.72"] mm [inch]

### Operating system

OS	Windows® 10 IoT Enterprise 2019 LTSC (64bit)
----	--

## Dimensions, terminals and mounting



**Note:** Dimensions are in mm (inches).

## Related products

Product	Description	Order code
InteliSys Gas	Industrial grade controller for gas gen-set based CHPs and power generation applications	<a href="#">I2GASXXBAB</a>
InteliSys <sup>NTC</sup> BaseBox	Premium Parallel Gen-set Controller	<a href="#">IS-NTC-BB</a>
InteliGen <sup>NTC</sup> BaseBox	Complex Parallel Gen-set Controller	<a href="#">IG-NTC-BB</a>
InteliMains <sup>NTC</sup> BaseBox	Mains Supervision Controller Base Unit	<a href="#">IM-NTC-BB</a>
InteliGen <sup>NT</sup>	Complex Parallel Gen-set Controller	<a href="#">IG-NT GC</a>
InteliSys <sup>NTC</sup> Hybrid	Hybrid system controller	<a href="#">IS-NTC HYBRID</a>
InteliMains <sup>NT</sup>	Mains Supervision Controller	<a href="#">IM-NT GC</a>
InteliDrive DCU Marine	Modular Certified Engine Controller for Marine Applications	<a href="#">ID-DCU MARINE</a>
InteliGen <sup>NT</sup> BaseBox	Complex Parallel Gen-set Controller with Detachable Colour Display	<a href="#">IG-NT-BB</a>
InteliLite <sup>NT</sup>	Manual Remote Start (MRS) Gen-set Controller	<a href="#">IL-NT MRS15</a>
InteliCompact <sup>NT</sup>	Genset Controller for Gensets in Multiple Parallel Applications	<a href="#">IC-NT MINT</a>
InteliLite	New generation of the most advanced Auto Mains Failure (AMF) gen-set controller	<a href="#">IL3AMF25BAA</a>
InteliGen 200	New Generation of Parallel Gen-set Controller	<a href="#">IG3200XXBAA</a>
InteliGen 500	Advanced paralleling gen-set controller with 5" colour display	<a href="#">IG3500XXBAA</a>
InteliDrive Marine	Engine controller for Marine Applications	<a href="#">ID2C2004BAA</a>
InteliDrive BaseBox	Controller for industrial gas applications	<a href="#">ID1COMBBBAB</a>
InteliDrive DCU Industrial	Engine Controller for Pumps and Compressors	<a href="#">ID2DCUINBAA</a> <a href="#">ID2DCUINBLA (LT)</a>
InteliDrive Mobile	Electronic Controller for Off-road Vehicles and Machinery	<a href="#">ID-MOBILE</a>
InteliDrive Mobile Logger	Data Logger for Diesel Engine Driven Mobile and Industrial Applications	<a href="#">ID-MOBILE LOGGER</a>
InteliDrive IPC Plastic Panel	Control panel for harsh environment	<a href="#">ID2P2200BAA</a>
InteliDrive IPU	Industrial Power Unit Controller	<a href="#">ID2IPUXXBAA</a>
InteliDrive Lite	Engine Controller for Pumps and Compressors	<a href="#">ID-FLX-LITE</a>
InteliDrive Lite FPC	Engine Controller Designed for Diesel Driven Fire Pump Applications	<a href="#">ID-FLX FPC</a>
InteliDrive Lite EM	Engine Controller for Electric Asynchronous Motors	<a href="#">INTELIDRIVE EM</a>



## Certificates and standards

- ▶ EN 55032:2012 Class A / AC:2011 Class A
- ▶ EN 55024:2010
- ▶ EN 60945:2002
- ▶ EN 60529
- ▶ EN 60068-2-6 (2-25 Hz/±1.6mm; 25-100 Hz / 4.0 g)
- ▶ EN 60068-2-30:2005 25/55°C, RH 95%, 48hours
- ▶ Marine certification EU RO MR
- ▶ IACS E10



\*)

This product complies with FCC 47 CFR Part 15, Subpart B, Class A.

This equipment has been tested and found to comply with the limits for a Class A digital device, pursuant to part 15 of the FCC Rules. These limits are designed to provide reasonable protection against harmful interference when the equipment is operated in a commercial environment. This equipment generates, uses, and can radiate radio frequency energy and, if not installed and used in accordance with the instruction manual, may cause harmful interference to radio communications. Operation of this equipment in a residential area is likely to cause harmful interference in which case the user will be required to correct the interference at his own expense.

