



TRIDENT QW3100/ QM3100

OIL QUALITY
MONITORS



TRIDENT QW3100/QM3100 OIL QUALITY MONITORS

Poseidon Systems' Trident QW3100 & QM3100 use real-time, in-line sensing technology for monitoring the health state of lubricating fluids. The device provides continuous insight to oil health, promoting condition-based maintenance practices such as optimized fluid drain intervals and reduced dependence on offline analysis.

OPTIMIZE LUBRICATION MAINTENANCE PRACTICES

The QW3100 & QM3100 utilize electrochemical impedance spectroscopy (EIS) technology to measure a fluid's impedance spectrum and track its health. The impedance spectrum provides multiple condition indicators which can be used to assess the lubricant's additive package health, monitor breakdown, and identify the presence of contaminants.

***ONLY THE QW3100** also has an integrated water-in-oil sensor which provides direct measurement of dissolved water content in the lubricant.

The QW3100 and the QM3100 both provide you with the power to improve your asset health management practices by enabling informed maintenance decisions based on real-time information.

APPLICATIONS

- Optimize oil drain and sampling intervals
- Improve asset health state awareness
- Identify contamination events
- Detect oil changes and top-up events
- Verify proper lubrication system maintenance
- Track water contamination levels (QW3100 only)

KEY FEATURES

- CAN-J1939 compatible
- RS485-Modbus RTU compatible
- Multi-frequency analysis
- Small form factor, easy to install
- Supports all oil types
- Integrated water contamination sensor (QW3100 only)

Please visit
poseidonsys.com
to learn more.

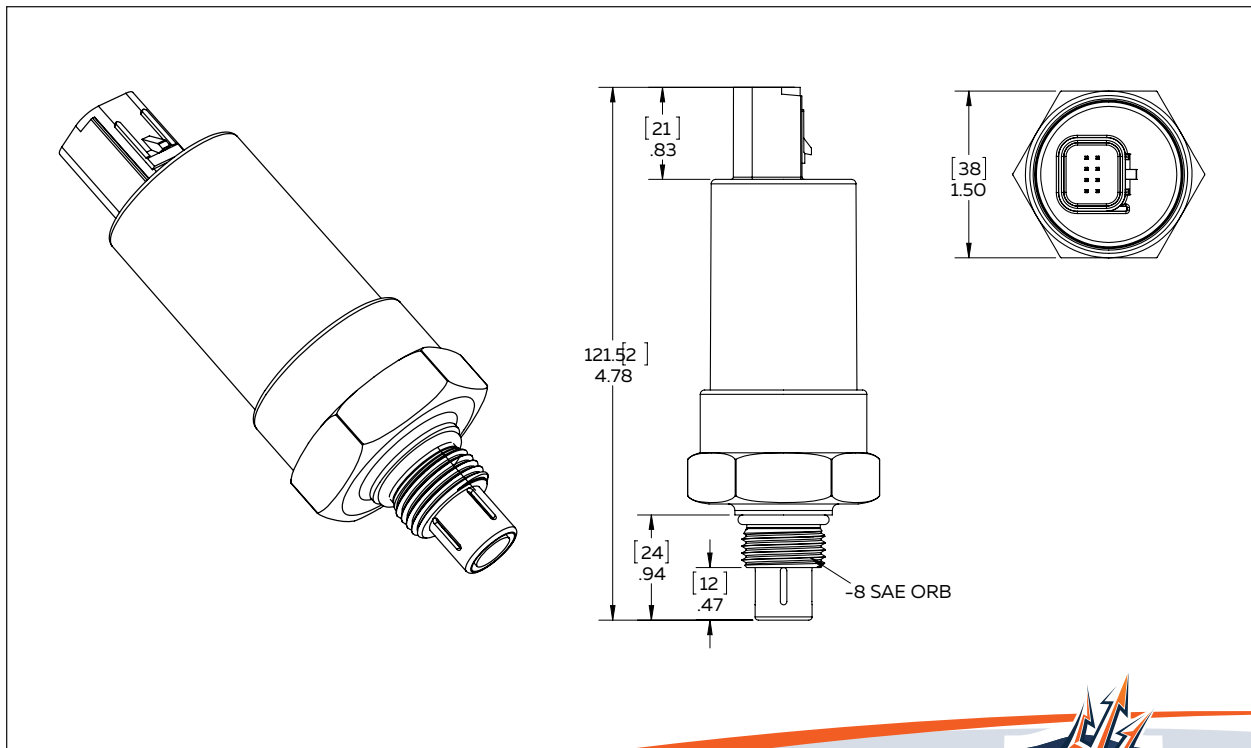
TRIDENT QW3100/ QM3100

OIL QUALITY
MONITORS



TECHNICAL SPECIFICATIONS

Fluid Temperature	-40 to 302°F (-40 to 150°C)
Working Pressure	150 psi (10.3 bar) max
Flow Rate	Flow rate independent
Viscosity	Viscosity independent
Water Measurement Accuracy	+/-3% RH
Port Specification	1/2" SAE ORB or G 1/2" BSPP
Ingress Protection	IP67
Communications	CAN J1939 / RS485 Modbus RTU
Weight	0.4 lbs (0.18kg)
Power Supply	10-30 Vdc, 1.5 W max



©2021, Poseidon Systems, LLC

- 📍 Poseidon Systems, LLC
- 📞 +1 (585) 239-6025
- ✉ sales@poseidonsys.com
- 🌐 www.poseidonsys.com

