

InteliVision 10Touch



Order code: RD1IV10TBPF

10.1" display unit for ComAp controllers

Datasheet

Product description

The new IntelliVision 10Touch is a high-quality PC panel designed to connect not only new controllers, but also to connect a wide range of existing single controllers. It is equipped with the ComAp PC monitoring tool IntelliSCADA. Compatible controllers can be connected to the IntelliVision 10Touch by one of two Ethernet ports or, for example, via the InteliGateway module in the case of controllers that do not have an Ethernet interface. The multi-touch screen supports zooming with gestures.

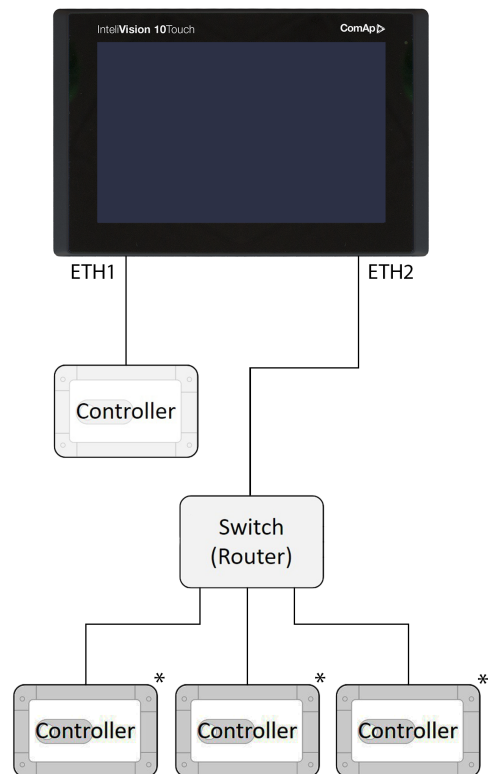
Note: IV10T only supports *Display* license types

Key features

- > 10.1" Fanless Compact Size Panel PC
- > Projective capacitive touch screen
- > IP66 compliant front panel
- > Operating temperature -20 - 60°C
- > ComAp IntelliSCADA tool pre-installed
- > IntelliSCADA Display Lite License pre-installed
- > Supports up to 4 devices connected (from IntelliSCADA 2.3.0)*
- > Long-term storing of up to 128 measured values (from IntelliSCADA 2.3.0)*

Note: (*)Extended features available only with upgraded licenses *Display Pro/Display Pro+*

Application overview



Note: (*) Multiple controllers available only with extended licenses *Display Pro/Display Pro+*

1 Technical data

Power supply

Power Supply Range	9-36 V DC
Power Consumption	9V / 2.2A Typical Values: 12V / 1.5A, 24V / 0.8A, 36V / 0.5A

Operating conditions

Operating Temperature	-20 °C to 60 °C
Storage Temperature	-30 °C to 70 °C
Humidity	10 to 95%@ 40 °C (non-condensing)
Sinusoidal Vibration	EN (IEC) 60068-2-6 test
Shock Test	EN 60068-2-27 ed. 2

Interfaces

USB	2 x USB 3.0 type A
Serial / Parallel	1 x DB-9 RS-232/422/485, COM1 (Default RS-232) 1 x RS-232 DB-9, COM2
Audio	1 x Audio Line Out
LAN	2 x GbE LAN RJ-45
Power	1 x 3-pin DC power input terminal, 1 x 2-pin connector for power on/off

System

CPU	Onboard Intel Apollo Lake N4200 (4 Core, 1.1 GHz)
Memory	Onboard 4 GB DDR3L 1600 MHz
System Chipset	SoC
Storage Device	1 x 2.5" SATA HDD bay for SATA3 HDD (Easy Accessible) 40 GB iSLC

LCD specification

LCD panel	10.1" TFT-LCD
Resolution	1280 x 800 px
Max. Color	16.7M
Luminance	350 cd/m ²
Contrast Ratio	800 : 1
View Angle	170(H) / 170(V)
Backlight Lifetime	25,000 hrs

Touchscreen

Type	Projected Capacitive Touch
Light Transmission	Projected Capacitive Touch: over 90%

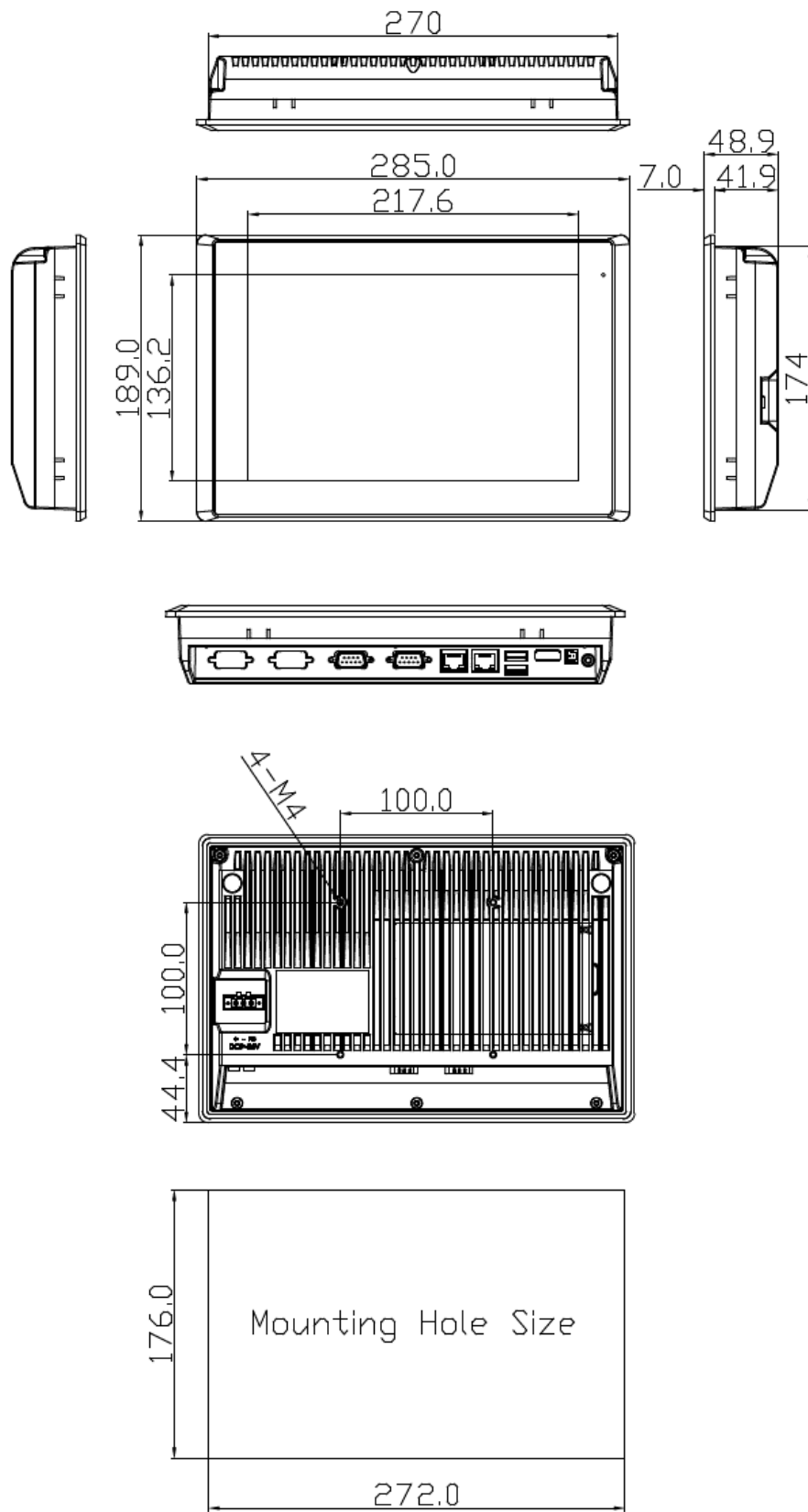
Mechanical

Housing	IP66 Compliant Front Bezel
Color	RAL 7021
Construction	Aluminum die-casting chassis
Net Weight	1.88 kg
Dimensions (W x H x D)	285 x 189 x 48.9 mm

Operating system

OS	Windows® 10 IoT
----	-----------------

Dimensions, terminals and mounting



Note: Dimensions are in mm (Tolerance ± 0.5 mm).

Related products

Product	Description
InteliSCADA	The new monitoring tool for the new and current controllers

For a list of compatible products see the **Supported ComAp Devices** chapter in the [InteliSCADA Global Guide](#).

Certificates and standards



*)

This product complies with FCC 47 CFR Part 15, Subpart B, Class A.

This equipment has been tested and found to comply with the limits for a Class A digital device, pursuant to part 15 of the FCC Rules. These limits are designed to provide reasonable protection against harmful interference when the equipment is operated in a commercial environment. This equipment generates, uses, and can radiate radio frequency energy and, if not installed and used in accordance with the instruction manual, may cause harmful interference to radio communications. Operation of this equipment in a residential area is likely to cause harmful interference in which case the user will be required to correct the interference at his own expense.



E-mail: info@comap-control.com
Web: www.comap-control.com

ComAp [®]
The heart of smart control