



Order code: RD1IV13TBME

## 13.3" display unit for ComAp controllers

# Datasheet

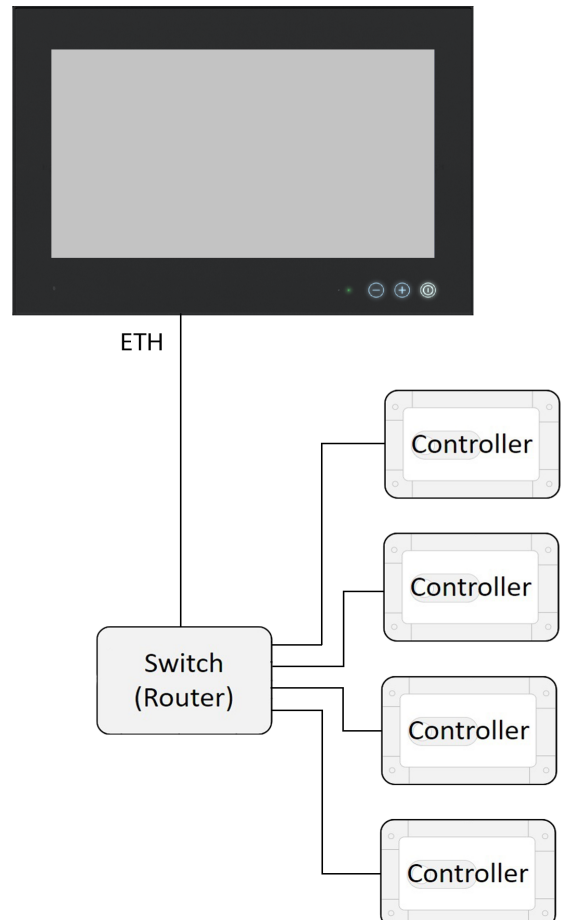
### Product description

InteliVision 13Touch is a high-quality easy-to-use 13.3" Marine certified Panel PC with multi-controller support and buttons for brightness regulation on its front face. Simultaneous monitoring and control of up to 4 controllers is possible. Compatible controllers should be connected via Ethernet, in some cases using InternetBridge-NT 4G. USB ports are recommended not to be used for monitoring.

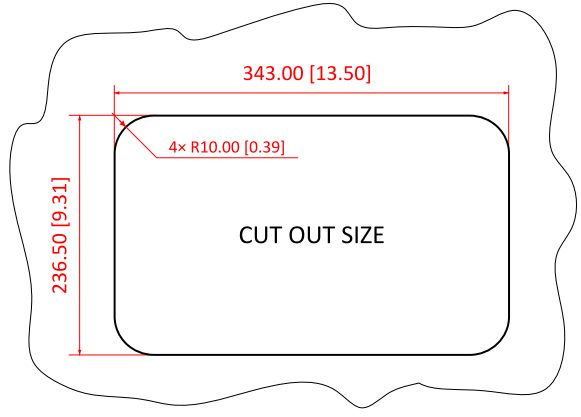
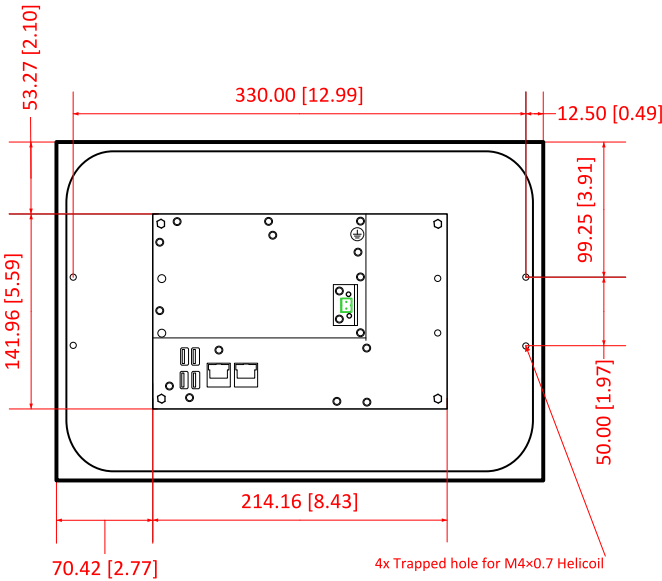
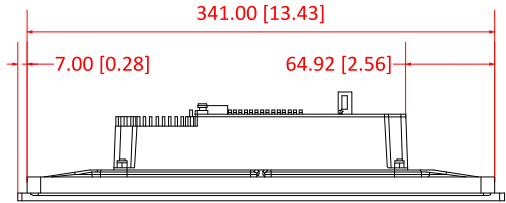
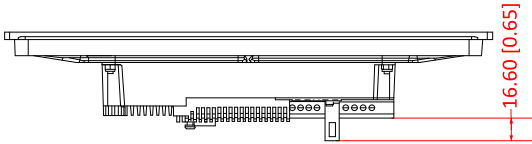
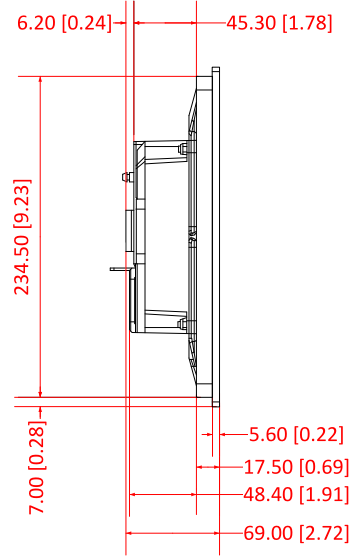
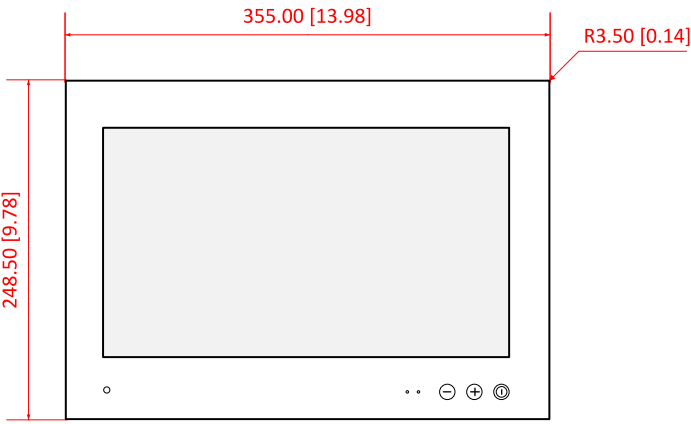
### Key features

- > 13.3" Multi-touch projected capacitive display
- > EU RO MR Marine certification
- > Buttons for brightness change on front face
- > Windows® 10 IoT Enterprise
- > ComAp InteliSCADA Display Pro+ pre-installed
- > Support for new controllers on the M1 platform
- > Front protection compliant with IP66
- > Intel Atom® x5-E3930 Processor
- > 4 GB RAM
- > 32 GB eMMC, 240 GB SSD
- > 2 × Ethernet, 2 × USB 2.0, 2 × USB 3.0
- > Operating temperature: -15 °C to +55 °C
- > Power input 10-31 V DC

### Application overview



# Dimensions, terminals and mounting



**Note:** Dimensions are in mm (inches).

# Technical data

## Power supply

Power Supply Range	10 - 31 V DC
--------------------	--------------

## Operating conditions

Operating Temperature	-15 °C to 55 °C
Storage Temperature	-20 °C to 60 °C
Vibration	On engine 4grms
Humidity	Up to 95% relative humidity (non-condensing)

## Interfaces

Rear I/O	2 × USB 2.0 2 × USB 3.0 Ethernet: 2 × RJ45, 10/100/1000 Base-Tx
----------	---

## System

CPU	Intel Atom® x5-E3930 Processor, 2 MB Cache, 1.30 GHz / 1.80 GHz
Memory	4GB RAM
Storage Device	32 GB eMMC 240 GB SSD

## LCD specification

LCD panel	13.3" TFT-LCD
Resolution	1920 × 1080 px (FHD)
Luminance	600 cd/m <sup>2</sup>
Contrast Ratio	600 : 1
Viewing Angle	85 deg. (up/down/left/right) (typical)
Backlight	LED

## Touchscreen

Type	P-Cap (Projected Capacitive Touch)
------	---------------------------------------

## Mechanical

Housing	IP66 front, IP20 rear (EN60529)
Weight	approx: 3.0 kg / 6.6 lbs
Dimensions (W × H × D)	355.00 [13.98"] × 248.50 [9.78"] × 69.00 [2.72"] mm [inch]

## Operating system


OS	Windows® 10 IoT Enterprise
----	----------------------------

## Related products

Product	Description
<a href="#">InteliSCADA</a>	The new monitoring tool for the new and current controllers

For a list of compatible products see the **Supported ComAp Devices** chapter in the [InteliSCADA Global Guide](#).

## Certificates and standards

<ul style="list-style-type: none"> <li>&gt; EN 62368-1:2014;A11:2017</li> <li>&gt; EN 55032:2015/A11:2020</li> <li>&gt; EN 55035:2017/A11:2020</li> <li>&gt; EN IEC 63000:2018</li> </ul>	<ul style="list-style-type: none"> <li>&gt; EN 60068-2-6:2008 (2-25 Hz/±1.6mm; 25-100 Hz / 4.0 g)</li> <li>&gt; EN 60068-2-30:2005 25/55°C, RH 95%, 48hours</li> <li>&gt; Marine certification EU RO MR</li> <li>&gt; FCC 47 CFR Part 15, Subpart B, Class A</li> <li>&gt; UKCA</li> </ul>	
---	--	---

\*)

This product complies with FCC 47 CFR Part 15, Subpart B, Class A.

This equipment has been tested and found to comply with the limits for a Class A digital device, pursuant to part 15 of the FCC Rules. These limits are designed to provide reasonable protection against harmful interference when the equipment is operated in a commercial environment. This equipment generates, uses, and can radiate radio frequency energy and, if not installed and used in accordance with the instruction manual, may cause harmful interference to radio communications. Operation of this equipment in a residential area is likely to cause harmful interference in which case the user will be required to correct the interference at his own expense.



E-mail: [info@comap-control.com](mailto:info@comap-control.com)  
 Web: [www.comap-control.com](http://www.comap-control.com)

**ComAp**   
 The heart of smart control