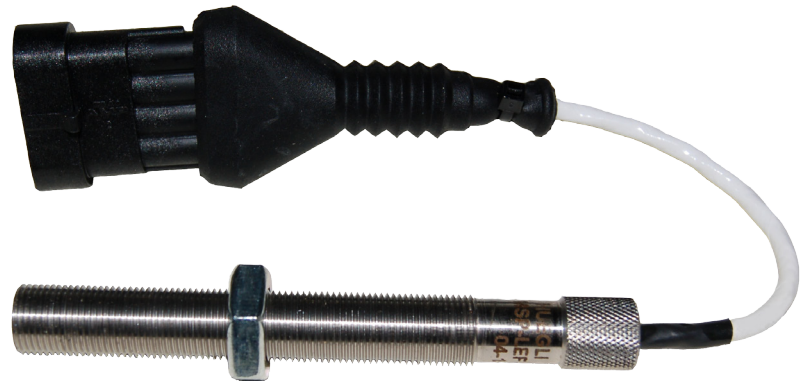


Active Inductive Sensor

MSP-LEF-75-HT

Features and Benefits

- Strong stainless steel body
- Precise switching characteristics
- High speed switching performance
- High temperature tolerance
- High quality level
- Activ Switching Output



High performance inductive sensor for high ambient temperatures

Active inductive sensors are non-contact switches containing no moving or wearing parts. Their construction and mode of operation make them highly resistant to environmental influences.

They are suited to applications where high reliability, triggering accuracy, operational lifetime and/or switching speed are priorities.

They are only sensitive to ferrous metal and their output will not be triggered by the presence of foreign objects or dirt.

These specialised components can be used in situations and conditions that conventional passive inductive sensors simply could not tolerate.

Active Inductive Sensor

MSP-LEF-75-HT

Technical data (at 24 V DC, 25° C)

Functional data

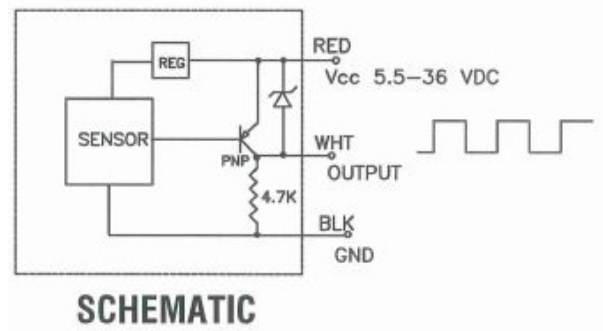
Sensing distance.....2 mm
Max Switching frequency.....0-15000 teeth/sec

Electrical data

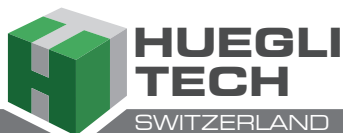
Operating voltage.....5.-36 VDC
Input Current.....12mAmp
Max. output current sourcing.....50 mAmp
Short circuit protection current.....200 mA
Reverse polarity.....built in

Mechanical data

Ambient temperature.....-40°C+125° C
Housing size.....M12*103mm
Housing material.....stainless steel
Head material.....PBT
Protection standard.....IP67
Cable.....length 2m



Local Distributor / Partner:



HUEGLI TECH AG (LTD)
Murgenthalstrasse 30
4900 Langenthal Switzerland
Phone: +41 62 916 50 30
Fax: +41 62 916 50 35

e-mail: sales@huegli-tech.com
www.huegli-tech.com