



FERROQ

FERROUS WEAR ANALYZER

FERROQ FERROUS WEAR ANALYZER

The FerroQ is a standalone device that analyzes a small sample for ferrous debris. The rapid and simple operation accompanied by outstanding sensitivity makes the device a perfect complement to any laboratory analysis. The device can be used as a low-cost screening tool to identify samples requiring further analysis, or as a standalone wear debris monitoring solution. The wide range and support for Grease Thief vials enables more flexibility and better measurements and more flexible operations.



Please visit
PoseidonSys.com
to learn more.

FERROUS METAL DEBRIS MONITORING SOLUTION

FEATURES

- Accurate results in seconds
- Bluetooth and USB connectivity for automation
- Touch screen display
- Small sample-needed
- Calibration independent of base fluid used
- Support for multiple sized vials

APPLICATIONS

- Grease/Oil analysis labs
- Wind energy
- Oil and gas processing
- Oil refineries
- Power generation
- Gas compression
- Manufacturing
- Pulp and paper
- Transportation
- Aerospace
- Process machinery
- Military

BENEFITS

- Avoid unpredicted failures and facilitate planned maintenance
- Rapid results available
- Specializes in metal detection
- Small sample required
- Sample is not consumed by FerroQ in test
- Cost effective investment



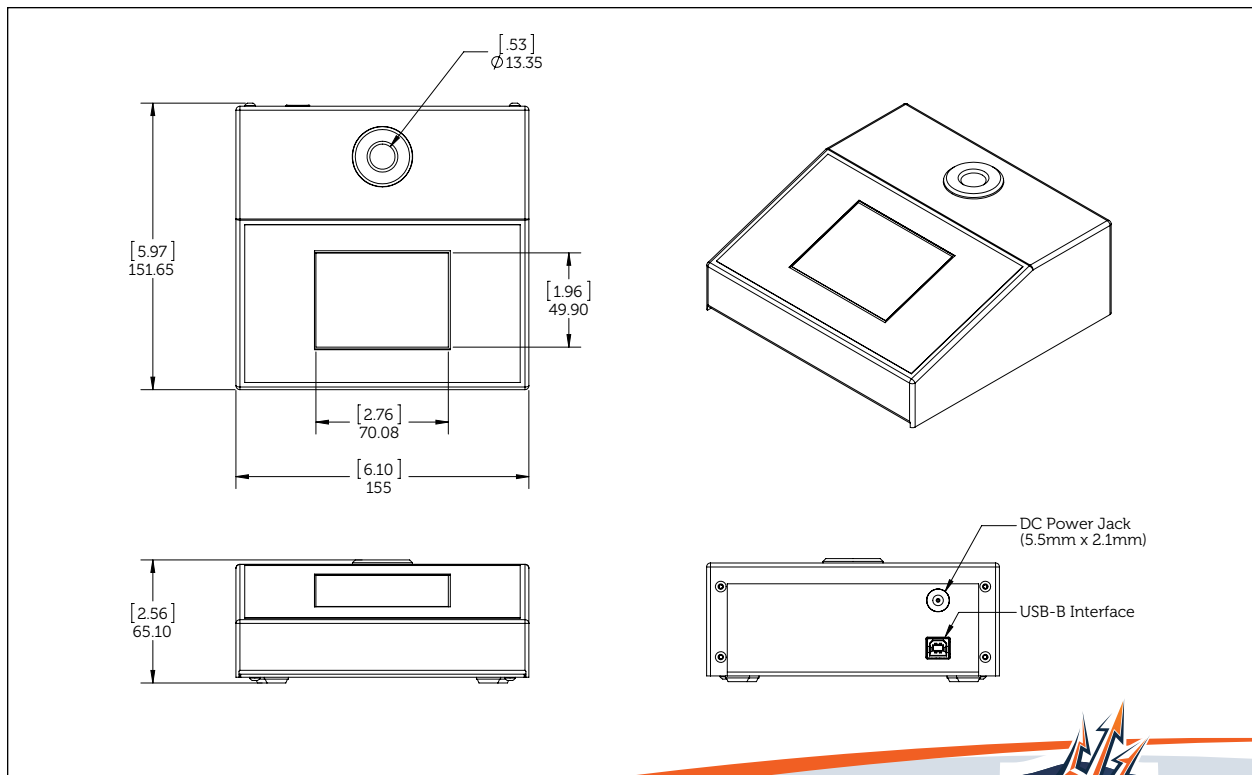
TECHNICAL SPECIFICATIONS

Repeatability	2% RSD
Range Maximum	200,000 mg/L
Sample Size	2mL, 5mL, GreaseThief
Display	3.5-inch LDC touchscreen
Power Supply	External 12VDC
Temperature Range	10°C to 55°C operating range (-20°C to 70°C storage)
Weight	3 lbs.



SEAMLESS INTEGRATION

FerroQ allows you to easily automate the sample dropping and export the concentration data and perform analysis to make collecting data for large sample sizes much easier and more efficient.



©2020, Poseidon Systems, LLC

- 📍 Poseidon Systems, LLC
- ☎ +1 (585) 239-6025
- ✉ sales@poseidonsys.com
- 🌐 www.poseidonsys.com



POSEIDON SYSTEMS