

# TOPSTART 0.5-4 KW

The TopStart is an electric coolant engine heater with an integrated pump for midsize engines.

## BENEFITS

- Even distribution of heat to eliminate cold spots
- Reduces time to reach operating temperatures and full load acceptance
- Reduces engine wear
- Integrated pump and heater body

## APPLICATIONS

- Gensets
- Large equipment



## Specifications

### Heating Unit

- Die cast aluminum body
- PA66 electrical cover and supports base
- 4.9 ft (150 cm) power cable
- Heating element made of Incoloy 800

### Circulating Pump

- Glandless circulation pump
- Flow rate: 1.6 to 2m<sup>3</sup>/h to 3m height manometer (7 to 8.8 gpm at 4.7 PSI)

### Regulating Thermostat

- 32-176°F (0-80°C)

### Safety Thermostat

- Safety thermostat with manual reset rated 25A (230°F/110°C)

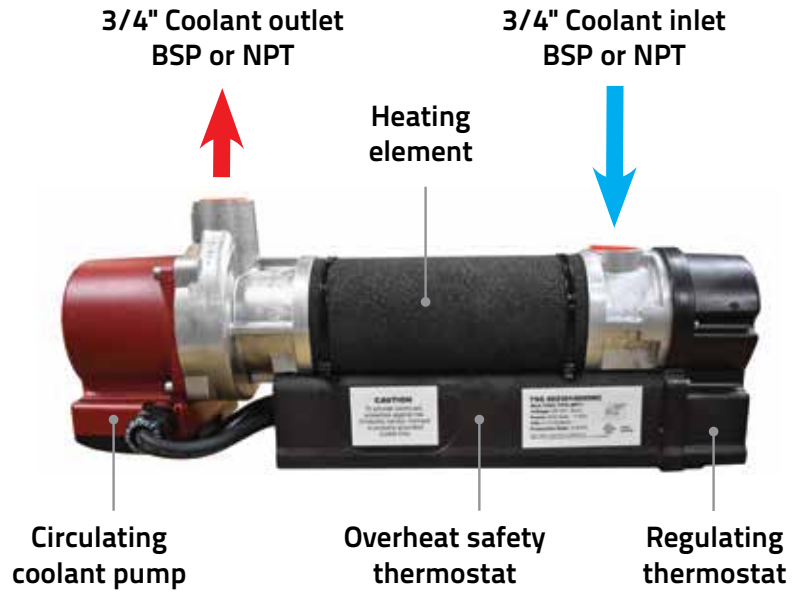
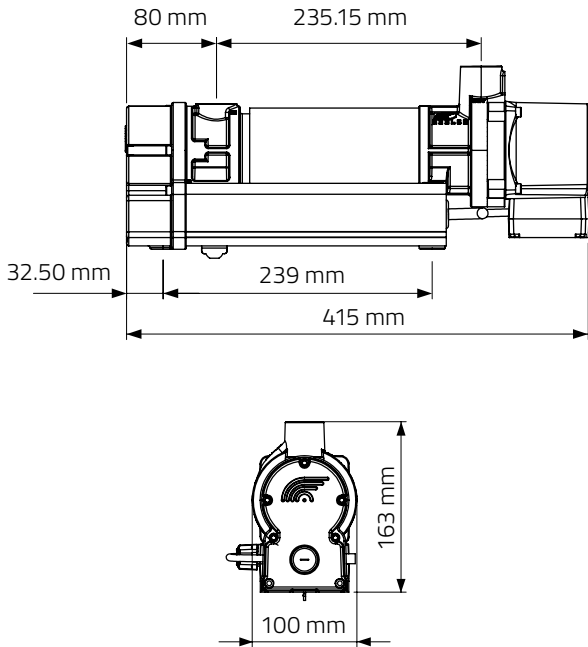
### Available Power

- 0.5-4 kW
- 120, 208, 230, 240 V
- 50 or 60 Hz

**PHILLIPS & TEMRO**  
*industries*<sup>®</sup>

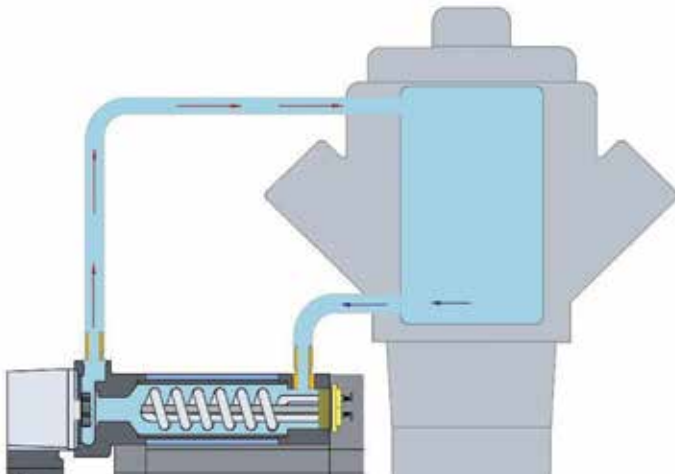
phillipsandtemro.com

# TOPSTART 0.5-4 KW



**DELIVERED WITH CONNECTION KIT AND MOUNTING KIT**

## INSTALLATION DIAGRAM



## CONNECTION KIT



3/4" BSP or NPT

## MOUNTING KIT



# TOPSTART 0.5-4 KW

## PARTS LIST: UL LISTED

Part Number	Hertz	Volts	Phase	Watts	Regulating Thermostat	Safety Thermostat	Control Box	Plug Type	Certifications
3301004	60	120	1	2000	32-176°F (0-80°C)	230°F (110°C) with manual reset	No	NEMA L5-30	UL
3301109	60	208	1	2500	32-176°F (0-80°C)	230°F (110°C) with manual reset	No	NEMA 6-15	UL
3301009	60	208	1	2500	32-176°F (0-80°C)	230°F (110°C) with manual reset	No	NEMA 6-15	UL
3301010	60	208	1	3000	32-176°F (0-80°C)	230°F (110°C) with manual reset	No	NEMA 6-20	UL
3301110	60	208	1	3000	32-176°F (0-80°C)	230°F (110°C) with manual reset	No	NEMA 6-20	UL
3301011	60	208	1	4000	32-176°F (0-80°C)	230°F (110°C) with manual reset	Yes	Hard wire	UL
3301019	60	240	1	2720	32-176°F (0-80°C)	230°F (110°C) with manual reset	No	NEMA 6-15	UL
3301020	60	240	1	3270	32-176°F (0-80°C)	230°F (110°C) with manual reset	No	NEMA 6-20	UL
3301046	60	480	1	4000	32-176°F (0-80°C)	230°F (110°C) with manual reset	Yes	Hard wire	UL
3301050	60	480	3	4000	32-176°F (0-80°C)	230°F (110°C) with manual reset	Yes	Hard wire	UL

# TOPSTART 0.5-4 KW

## PARTS LIST: CE CERTIFIED

Part Number	Hertz	Volts	Phase	Watts	Regulating Thermostat	Safety Thermostat	Control Box	Plug Type	Certifications
TSG 601201 500MC	50-60	120	1	500	0-80°C (32-176°F)	110°C (230°F) with manual reset	No	CEE 7/7	CE
TSG 6012011000MC	50-60	120	1	1000	0-80°C (32-176°F)	110°C (230°F) with manual reset	No	CEE 7/7	CE
TSG 6012011350MC	50-60	120	1	1350	0-80°C (32-176°F)	110°C (230°F) with manual reset	No	CEE 7/7	CE
TSG 6012011500MC	50-60	120	1	1500	0-80°C (32-176°F)	110°C (230°F) with manual reset	No	CEE 7/7	CE
TSG 6012012000MC	50-60	120	1	2000	0-80°C (32-176°F)	110°C (230°F) with manual reset	No	Hard wire	CE
TSW 5020811000MC	50-60	208	1	1000	0-80°C (32-176°F)	110°C (230°F) with manual reset	No	CEE 7/7	CE
TSW 5020812000MC	50-60	208	1	2000	0-80°C (32-176°F)	110°C (230°F) with manual reset	No	CEE 7/7	CE
TSW 5020813000MC	50-60	208	1	3000	0-80°C (32-176°F)	110°C (230°F) with manual reset	No	CEE 7/7	CE
TSW 502301 500MC	50-60	230	1	500	0-80°C (32-176°F)	110°C (230°F) with manual reset	No	CEE 7/7	CE
TSW 5023011000MC	50-60	230	1	1000	0-80°C (32-176°F)	110°C (230°F) with manual reset	No	CEE 7/7	CE
TSW 5023011350MC	50-60	230	1	1350	0-80°C (32-176°F)	110°C (230°F) with manual reset	No	CEE 7/7	CE
TSW 5023011500MC	50-60	230	1	1500	0-80°C (32-176°F)	110°C (230°F) with manual reset	No	CEE 7/7	CE
TSW 5023012000MC	50-60	230	1	2000	0-80°C (32-176°F)	110°C (230°F) with manual reset	No	CEE 7/7	CE
TSW 5023012500MC	50-60	230	1	2500	0-80°C (32-176°F)	110°C (230°F) with manual reset	No	CEE 7/7	CE
TSW 5023013000MC	50-60	230	1	3000	0-80°C (32-176°F)	110°C (230°F) with manual reset	No	CEE 7/7	CE
TSW 5023014000MC	50-60	230	1	4000	0-80°C (32-176°F)	110°C (230°F) with manual reset	No	Hard wire	CE